

### Applications

PolyPro is a polypropylene vent pipe for use with ANSI Category II and IV gas-burning appliances, including high-efficiency water heaters, condensing boilers and warm air furnaces. PolyPro is listed by Intertek to the ULC S636 standard in Canada as a Class IIA, IIB and IIC vent system suitable for exhaust temperatures up to 230°F / 110°C, and a maximum positive pressure of 15 in-w.c.

### Materials and Construction

Rigid pipe constructed of 2.2mm (minimum) thick polypropylene. Flex is double-wall polypropylene. EPDM or optional Viton Gaskets.

### Clearances

0" clearance to combustibles for exhaust temperatures up to 194°F / 90°C, and 0" clearance for vertical installations up to exhaust temperatures of 230°F / 110°C and 1/4" / 6mm clearance to combustibles for horizontal installations at exhaust temperatures up to 230°F / 110°C. PolyPro concentric vent system components, including concentric Horizontal Termination and Vertical Termination, are listed at 0" clearance to combustibles for exhaust temperatures up to 230°F / 110°C.

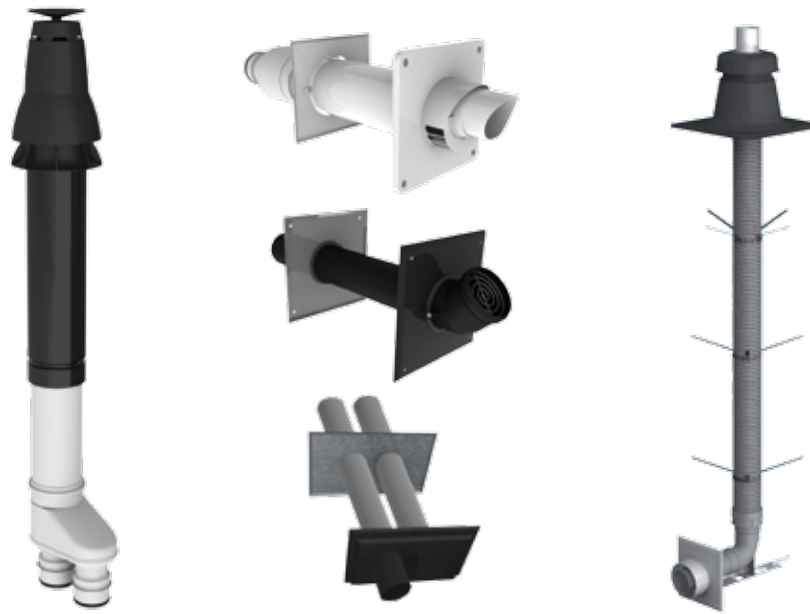
### Diameters

2" (60mm), 3" (80mm), 4" (100mm), 5" (130mm), 6" (150mm), and 8" (200mm).

### Listings

Listed with the appliance in the USA and Canada, check with appliance manufacturer. Intertek / ETL listed to ULC S636 Listed as a Class IIA, IIB, and IIC vent system.

**PolyPro is engineered for use with category II & IV condensing gas/oil appliances and heating equipment, including tankless water heaters, high-efficiency water heaters, condensing boilers and warm air furnaces.**



**PolyPro terminations** are lab tested to handle harsh weather and remain ice free in freezing temperatures. Air circulation and weather conditions like rain, wind and ice have the potential to reduce the efficiency of a unit's performance and the operation of its venting system. M&G DuraVent has designed its terminations for a tight, leak-free system that does not allow ice formations.

PolyPro is superior in performance and easier to install than PVC and CPVC pipe, which were designed for drainage and irrigation, not venting. PolyPro has successfully vented appliances in Europe for over 20 years.

PolyPro complies with LEED® credit IEQc4.1 on VOC limits.

\*LEED® and USGBC logo is a trademark owned by the U.S. Green Building Council and is used by permission.



PolyPro is approved by the Massachusetts Plumbers Board. Approval code G1-0811-42.



Scan this tag to learn more about PolyPro, download catalog and other materials, and see the updated Appliance Approval list.

# DuraVent

Member of M&G Group

Customer Service Support 800-835-4429 | 707-446-4740 FAX | www.duravent.com

9/2013 L629

# PolyPro®

*A chloride-free, fully engineered venting system designed for use with high efficiency furnaces, condensing boilers and tankless water heaters.*  
**ULC S636 Listed Vent System**

## FEATURES AND BENEFITS



# DuraVent

Member of M&G Group

PolyPro Features	Benefits
Designed, engineered and approved as a vent system.	The PolyPro system is specifically designed as a vent system for heating appliances... not as a drain system like PVC / CPVC.
Polypropylene has a higher temperature limit 230°F / 110°C than PVC / CPVC.	PVC has only 149°F/65°C and CPVC has only 194°F / 90°C as their maximum temperature limits.
Easy to install.	Lightweight, assembles quickly. Can be disassembled for inspection or cut to desired length.
Male / Female connections.	Gasketed joint system. No adhesives nor primers required, no curing times and no special training. No mess.
Engineered terminations.	Terminations are designed for superior performance in poor environmental conditions. Ice free in freezing weather, no leakage in rain, or back pressure in windy conditions.
20 years installation experience in Europe.	PolyPro has a proven, successful performance record as a vent system in Europe where PVC is not allowed. All the right parts and pieces have been developed and tested.
Tested and Listed to the ULC S636 standard in Canada. Rated as a Class IIA, IIB, and IIC vent system.	Approved as a vent system for high efficiency appliances in Canada. Suitable for exhaust temperatures up to 230°F / 110°C, and a maximum positive pressure of 15 in.-w.c. See our approval section on our website for list of approved appliances in the US and Canada.
100% recyclable. Environmentally safe.	Environmentally safe to produce, use and dispose of. No chlorides to leach in to the water system. PolyPro complies with LEED® credit IEQc4.1 on VOC limits.
UV resistant exterior terminations.	Terminations are made with UV resistant polypropylene so there is no breakdown of plastic due to sun exposure. UV parts are black.
Colored Gray.	Differentiated from white drainage pipe to make it easier to recognize.
Durable double-wall flex.	PolyPro double-wall flex is listed to ULC S636 for relining masonry chimneys, factory-built chimneys, vents, or drywall chases. See our approval list for approved appliances.
Competitively priced.	Price level between PVC and CPVC for competitive installation cost.
10 year warranty.	DuraVent backs their product with a comprehensive warranty against defects in material and workmanship.
3% slopes desgiend in elbows and condensate drains.	Properly manages condensate by preventing standing corrosive water.

### Environment Advantages

PVC pipes are commonly used for venting water heaters, condensing boilers and warm air furnaces. An environmentally safe and engineered alternative is PolyPro, for condensing gas appliances. Engineered for venting, it is 100% recyclable, and contains no toxic or carcinogenic materials, chlorides, or heavy metals. PolyPro does not release hazardous gases during combustion. Polypropylene has a higher operating temperature limit of 230°F/110°C (PVC is 149°F/65°C max and CPVC is 194°F/90°C). PolyPro is an engineered corrosion-free, condensation management system.

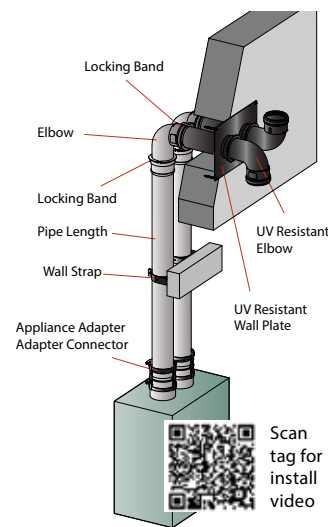
### Performance Advantages

Ideal for high efficiency gas furnaces, condensing boilers, and instantaneous hot water heaters. Listed by Intertek to the ULC S636 standard in Canada, and is rated as a Class IIA, IIB, and IIC vent system. PolyPro's walls expand and contract with weather and temperature changes so there is no flexing or cracking in the venting. The terminations remain ice free in freezing weather and the interior of the 90° elbows are 88° to prevent standing condensation. The PolyPro product line has a higher sustained operating temperatures than PVC / CPVC and is corrosion resistant.

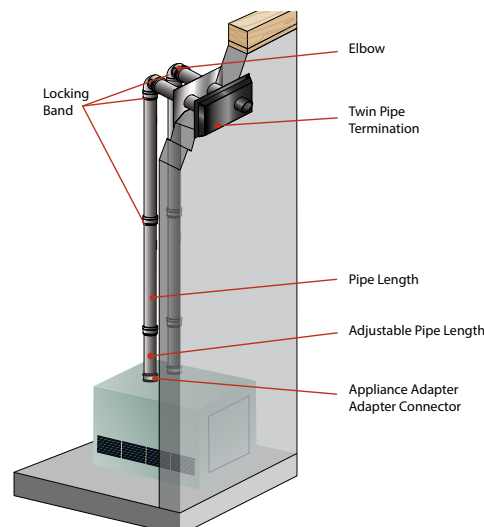


### Installation Advantages

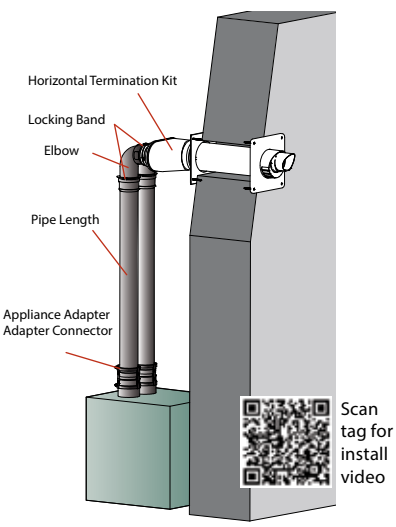
Lightweight and easy to install in less time. PolyPro does not require flammable, messy or harmful glues, cements or solvents at connections, meaning no glue curing time during installation. A variety of supports are available to make installation easier. The gasketed connections also allow for removal and replacement of components.



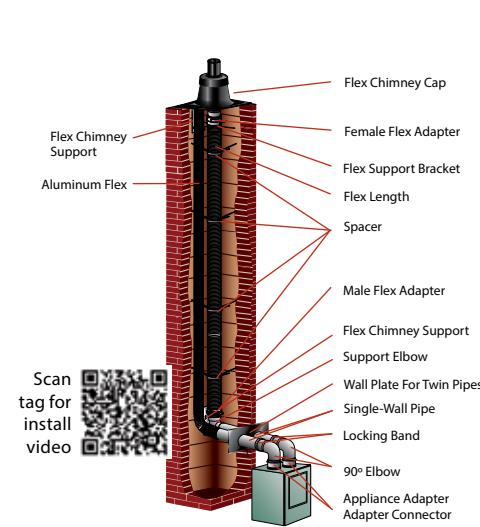
Horizontal Twin Pipe Elbow Termination



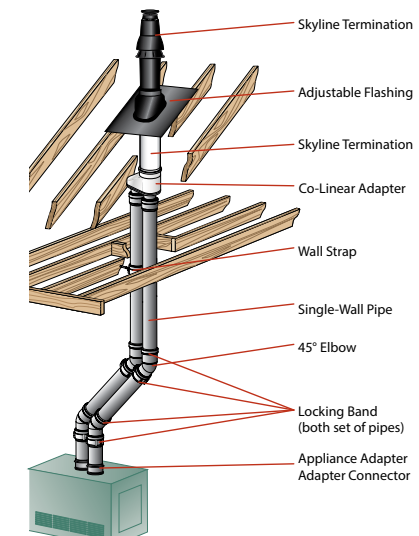
Horizontal Twin Pipe Below Grade



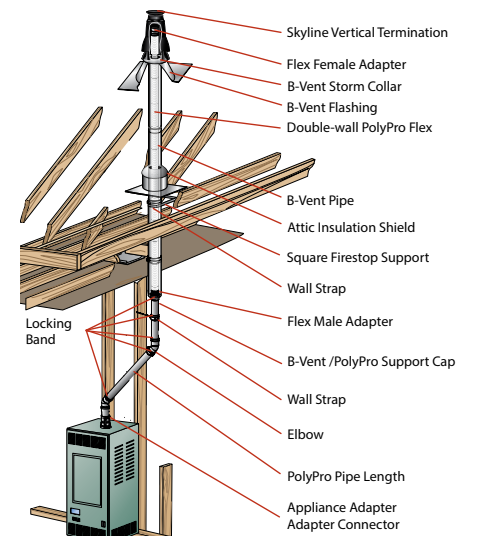
Horizontal Twin Pipe Concentric



Flex Through Chimney w/ Air Intake



Twin Pipe w/ Concentric Termination



Flex Through B vent as a Chase